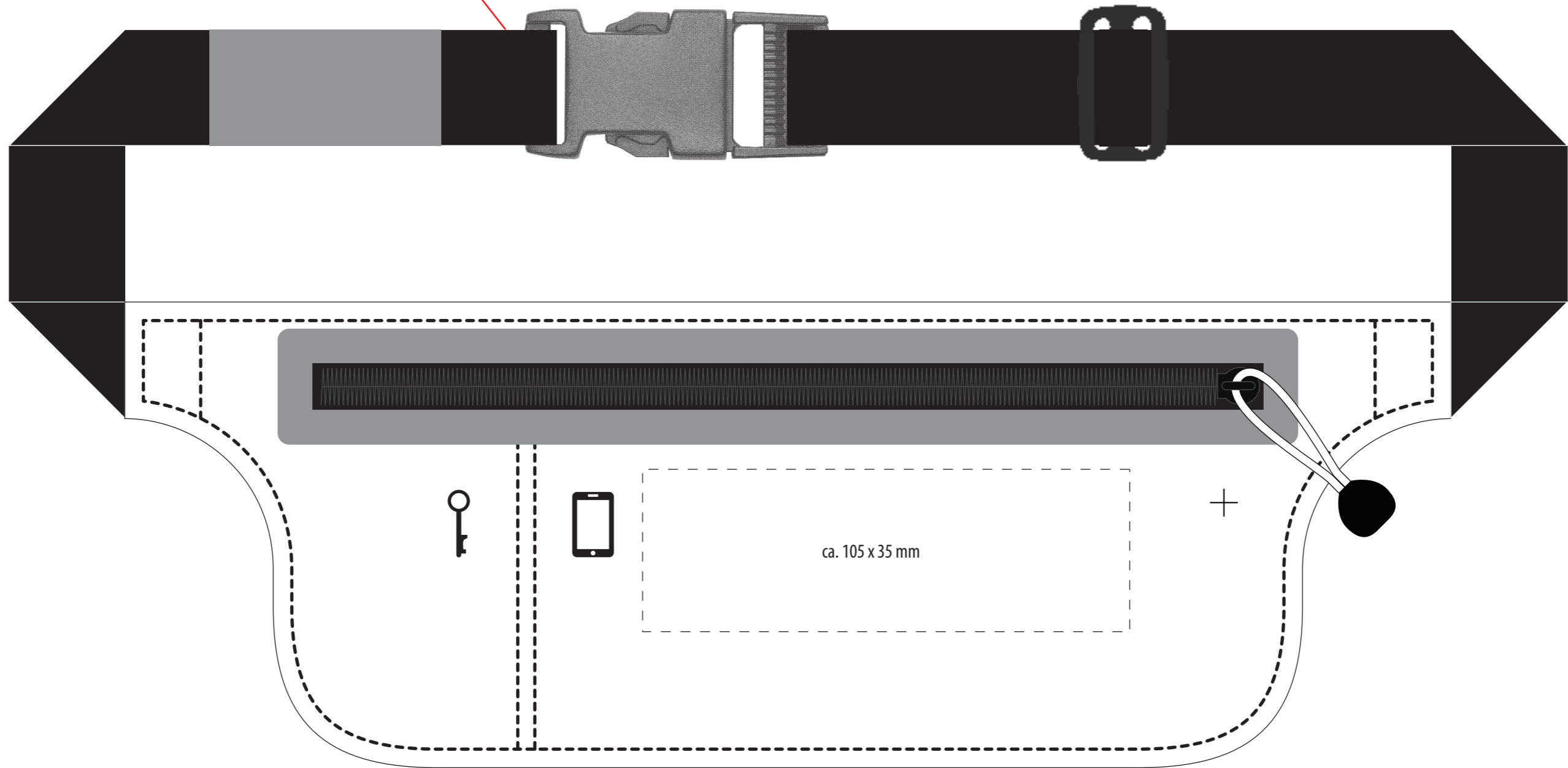


BELT BAG REFLECTS-HIP BAG (52093)

Straprückseite/back of strap

- Tasche: 90% Polyester, 10% Elasthan
- Band: 70% Polyester, 30% Gummi
- Bag: 90% Polyester, 10% Elasthan
- Strap: 70% Polyester, 30% Rubber
- Sacoché: 90% polyester, 10% élasthanne
- Ceinture: 70% polyester, 30 % gomme
- REFLECTS GmbH, Toyota Allee 54, D-50858 Köln

DEUTSCHLANDPRODUKTION/PRODUCED IN GERMANY

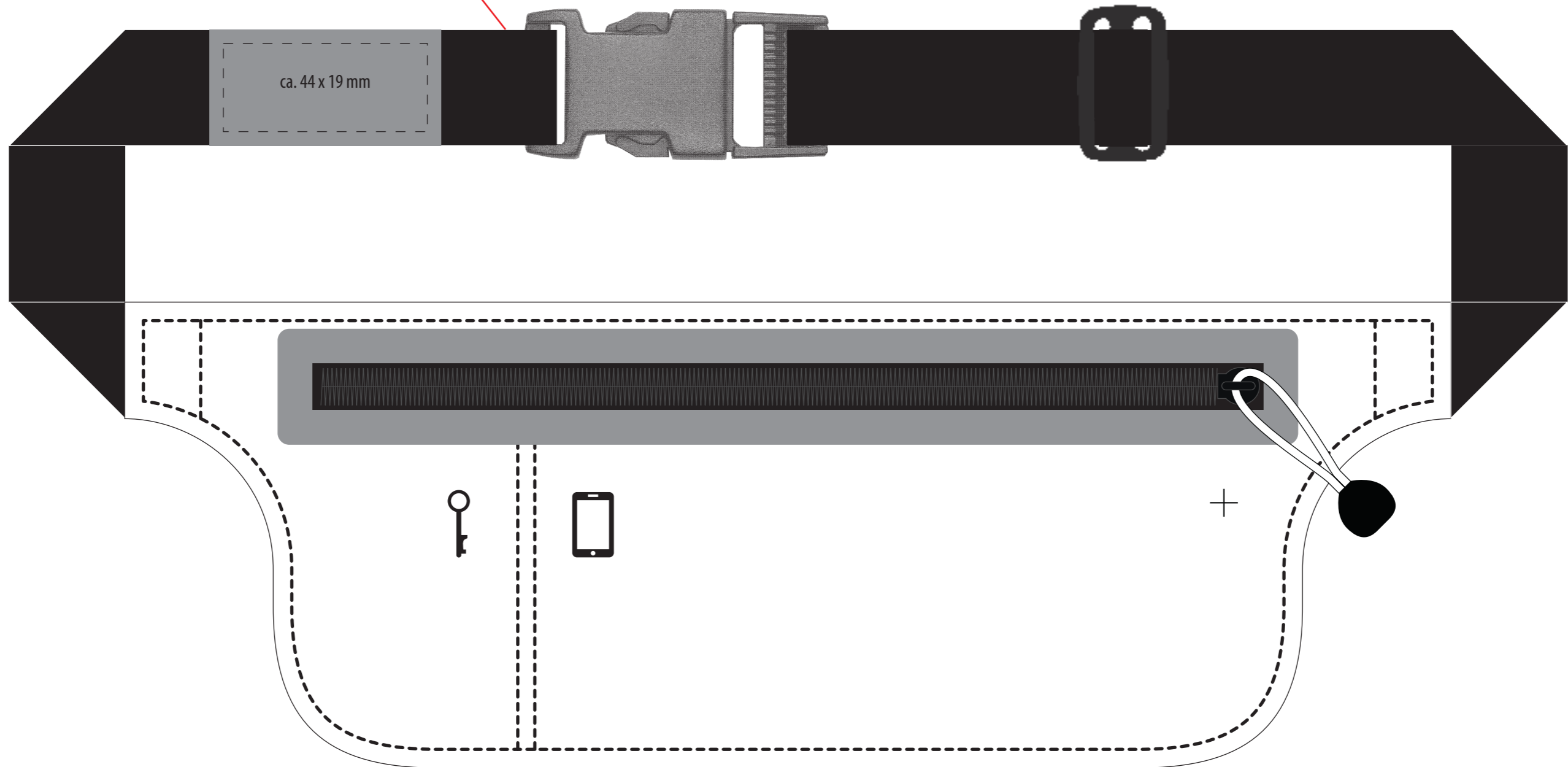


BELT BAG REFLECTS-HIP BAG (52093)

Straprückseite/back of strap

Tasche:	90% Polyester, 10% Elasthan
Band:	70% Polyester, 30% Gummi
Bag:	90% Polyester, 10% Elasthan
Strap:	70% Polyester, 30% Rubber
Sacoché:	90% polyester, 10% élasthanne
Coiture:	70% polyester, 30 % gomme
REFLECTS GmbH, Toyota Allee 54, D-50858 Köln	

DEUTSCHLANDPRODUKTION/PRODUCED IN GERMANY



BELT BAG REFLECTS-HIP BAG (52093)

Straprückseite/back of strap

Tasche: 90% Polyester, 10% Elasthan
Band: 70% Polyester, 30% Gummi
Bag: 90% Polyester, 10% Elasthan
Strap: 70% Polyester, 30% Rubber
Sacoché: 90% polyester, 10% élasthanne
Ceinture: 70% polyester, 30 % gomme
REFLECTS GmbH, Toyoka Allee 54, D-50858 Köln

FERNOSTPRODUKTION/PRODUCED IN FAR EAST

